

# TANDBERG

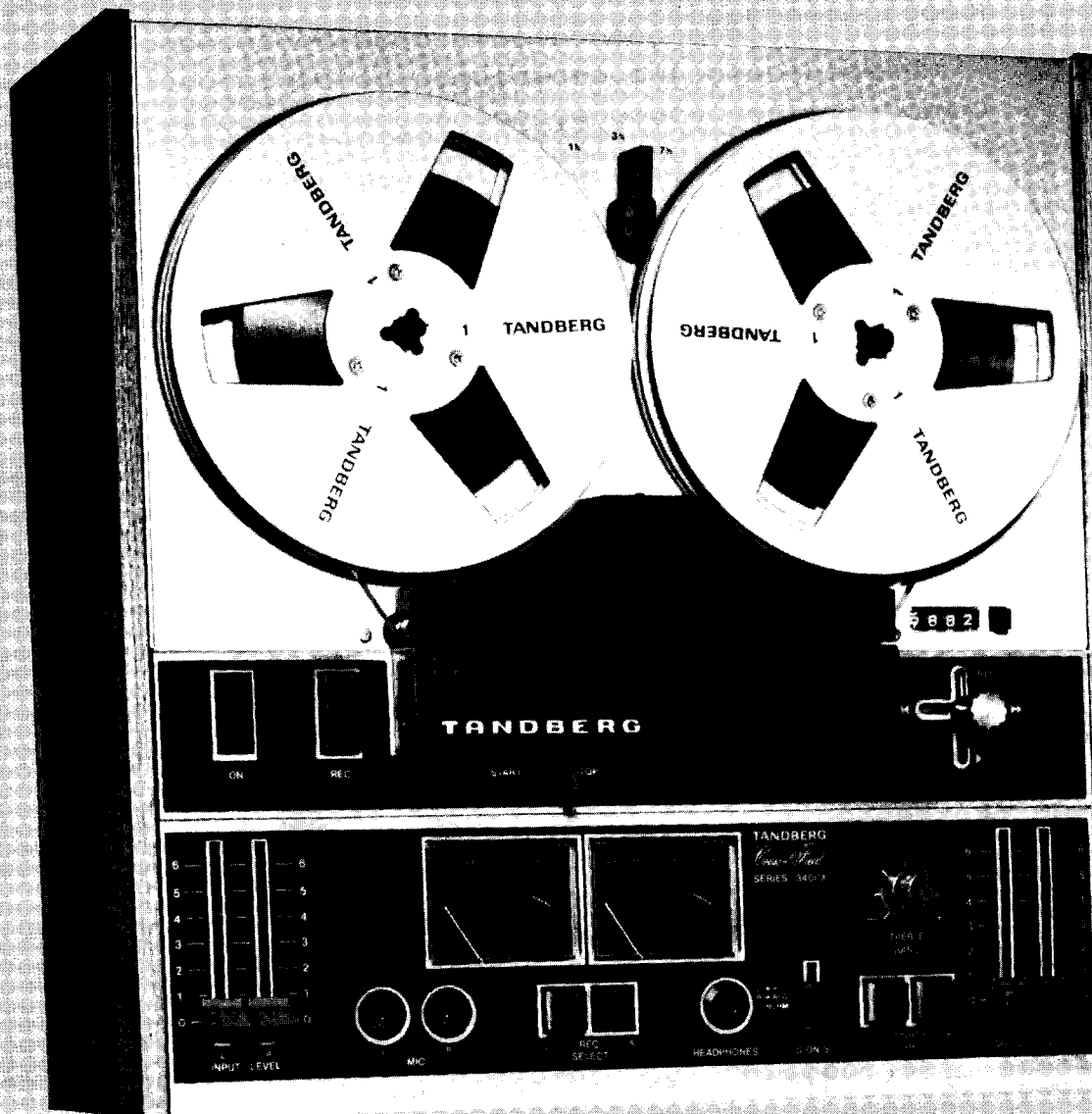
## 3300X 3400X 3500X 3600XD STEREO

### Illustrated Parts List

#### INSTRUCTIONS FOR ORDERING OF REPLACEMENT PARTS

The serial number, which is a seven digit number found on the rear of the apparatus, should always be given when ordering replacement parts. Please give the ordering number together with the full description when ordering parts.

Example: 302896 - 3300X, Surround, DIN socket, plastic



INDEX

<u>Model</u>	<u>Assembly</u>	<u>Page</u>
3300X	Chassis assembly	4 and 5
	Tape path assembly	8 and 9
	Head assemblies	10
	Pressure roller arm assembly	11
	Lower mounting plate assembly	12 and 13
	Clutch assemblies	16 and 17
	Motor assembly	20 and 21
	Transformer	20 and 21
	Switches	22
	Printed circuit boards	23
3400X	up to serial number 4300000	
	Chassis assembly	6
	Tape path assembly	8 and 9
	Head assemblies	10
	Pressure roller arm assembly	11
	Lower mounting plate assembly	12 and 13
	Clutch assemblies	16 and 17
	Motor assembly	20 and 21
	Transformer assembly	20 and 21
	Switches	22
Printed circuit board	23	
3400X	from serial number 4300001	
	Chassis assembly	6
	Tape path assembly	8 and 9
	Head assemblies	10
	Pressure roller arm assembly	11
	Lower mounting plate assembly	14 and 15
	Clutch assemblies	18 and 19
	Motor assembly	20 and 21
	Transformer assembly	20 and 21
	Switches	22
Printed circuit boards	23	

INDEX - continued

<u>Model</u>	<u>Assembly</u>	<u>Page</u>
3500X	Chassis assembly	4 and 5
	Tape path assembly	8 and 9
	Head assemblies	10
	Pressure roller arm assembly	11
	Lower mounting plate assembly	14 and 15
	Clutch assemblies	18 and 19
	Motor assembly	20 and 21
	Transformer assembly	20 and 21
	Switches	22
	Printed circuit boards	23
3600XD	up to serial number 4200000	
	Chassis assembly	7
	Tape path assembly	8 and 9
	Head assemblies	10
	Pressure roller arm assembly	11
	Lower mounting plate assembly	12 and 13
	Clutch assemblies	16 and 17
	Motor assembly	20 and 21
	Transformer assembly	20 and 21
	Switches	22
Printed circuit boards	23	
3600XD	from serial number 4200001	
	Chassis assembly	7
	Tape path assembly	8 and 9
	Head assemblies	10
	Pressure roller arm assembly	11
	Lower mounting plate assembly	14 and 15
	Clutch assemblies	18 and 19
	Motor assembly	20 and 21
	Transformer assembly	20 and 21
	Switches	22
Printed circuit boards	23	

# MECHANICAL PARTS

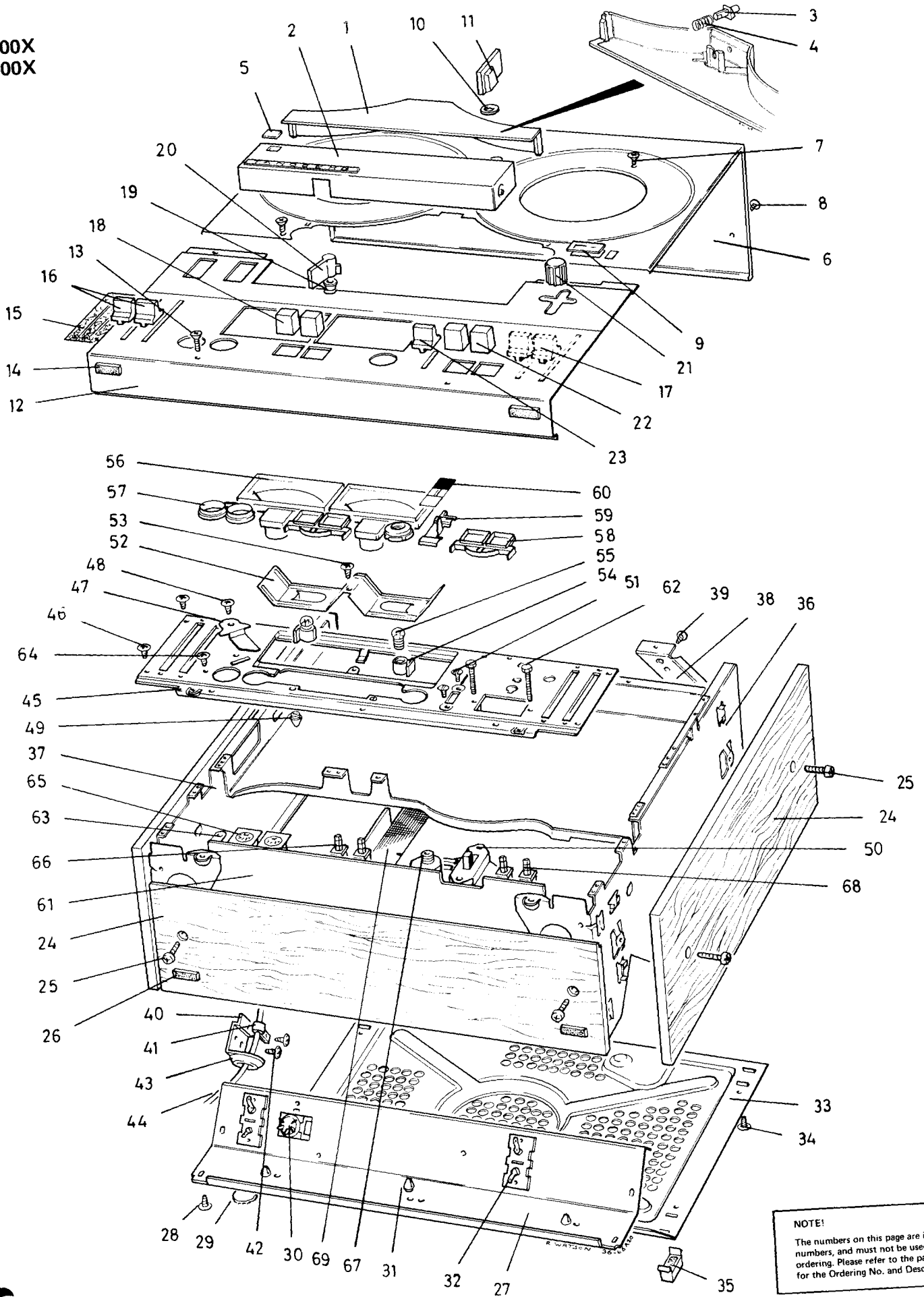
Parts belonging together are arranged in order with the main part first followed by the associated parts. Descriptions of the associated parts are indented and descriptions of the sub-group of the parts are further indented.

\* These parts are not available as replacement parts.

## Chassis assembly.

Index	SPECIFY THIS WHEN ORDERING		Quantity		Notes
	Ordering No.	Description	per assy	Total	
	*	CHASSIS ASSEMBLY			
1	993908 -3300X	Cover, heads	1	1	3300X and 3500X
2	993907 -3300X	Cover, pressure roller arm	1	1	supplied with index 3 and 4
3	270469 -3300X	Button, push, cover lock	3	3	supplied with index 3, 4 and 5
4	274183 -3300X	Spring	3	3	
5	303370 -3300X	Window, turquoise, plastic	1	1	
6	993905 -3300X	Plate, deck	1	1	3300X supplied with index 9
7	993936 -3500X	Plate, deck	1	1	3500X
8	223186 -3300X	Screw, 3 x 8 mm csk hd	4	4	3300X
9	263688 -3500X	Screw, 3 x 8 mm csk hd, black	4	4	3500X
10	227899 -3300X	Screw, plate, 1/4" No. 6 flange hd	2	10	3300X
11	289550 -3500X	Screw, plate, 1/4" No. 6 flange hd, black	2	2	3500X
12	303471 -3300X	Window, plastic	1	1	
13	234960 -3300X	Washer, plastic	1	1	
14	262322 -3300X	Knob, black, plastic	1	1	Speed change
15	993906 -3300X	Plate, instrument	1	1	3300X
16	993948 -3500X	Plate, instrument	1	1	3500X
17	296258 -3300X	Screw, 3 x 12 mm csk hd	4	4	
18	307738 -3300X	Foot, rubber	2	4	
19	300195 -3300X	Mask, felt	2	2	
20	302580 -3300X	Knob, turquoise, plastic, with spring	2	2	3300X, INPUT LEVEL
21	310827 -3300X	Knob, red, plastic, with spring	2	2	3300X, INPUT LEVEL
22	313112 -3500X	Knob, black, plastic, with spring	2	5	3500X, INPUT LEVEL
23	313112 -3500X	Knob, black, plastic, with spring	2	-	3500X, OUTPUT LEVEL
24	285814 -3300X	Button, push, red, plastic	2	2	3300X, REC SELECT
25	310102A -3500X	Button, push, black, plastic	2	4	3500X, REC SELECT
26	263974 -3300X	Sleeve, nylon	1	1	
27	293616 -3300X	Knob, black, plastic	1	1	START/STOP
28	280993 -3300X	Knob, black, plastic	1	1	Operating lever
29	302422 -3300X	Button, push, turquoise, plastic	2	2	3300X, SOURCE/TAPE
30	310102A -3500X	Button, push, black, plastic	2	-	3500X, SOURCE/TAPE
31	313112 -3300X	Knob, black, plastic, with spring	1	-	S ON S
32	301000 -3300X	Panel, rosewood	1	1	
33	286087 -3300X	Panel, teak	1	1	
34	297063 -3300X	Panel, oak	1	1	
35	262984 -3300X	Screw, plate, 5/8" No. 6 pan hd, black	6	6	
36	304642 -3300X	Foot, rubber	2	-	
37	993917 -3300X	Plate, with sockets	1	1	supplied with index 29-32 incl
38	309060 -3300X	Screw, plate, 1/4" No. 6 pan hd	4	47	
39	209622 -3300X	Pad, 15 x 5 mm, felt	2	2	
40	263085 -3300X	Socket, 5 pin DIN 180 degrees	1	1	RADIO
41	224795 -3300X	Lug, plastic	3	5	
42	238623 -3300X	Socket, phono, double	2	2	LINE IN and LINE OUT
43	994525 -3300X	Cover, bottom, with feet	1	1	supplied with index 35
44	309060 -3300X	Screw, plate, 1/4" No. 6 pan hd	6	-	
45	991042 -3300X	Foot, rubber, with housing	4	4	
46	285678A -3300X	Plate, chassis, right	1	1	
47	289392A -3300X	Plate, chassis, left	1	1	
48	288415 -3300X	Bracket, chassis	2	2	
49	227899 -3300X	Screw, plate, 1/4" No. 6 flange hd	2	-	
50	301862 -3300X	Bracket	1	1	
51	202684 -3300X	Clamp, cable, nylon, 5 mm	1	1	
52	227899 -3300X	Screw, plate, 1/4" No. 6 flange hd	1	-	
53	286898 -3300X	Tube, plastic	1	1	
54	203250 -3300X	Cable, power, European, with plug	1	1	
55	*	Plate, upper mounting	1	-	
56	309060 -3300X	Screw, plate, 1/4" No. 6 pan hd	6	-	
57	301567 -3300X	Plate	2	2	
58	309060 -3300X	Screw, plate, 1/4" No. 6 pan hd	1	-	
59	224795 -3300X	Lug, plastic	2	-	
60	286912 -3300X	Switch, slide	1	2	S ON S
61	232662 -3300X	Screw, 3 x 6 mm csk hd	2	2	
62	303600 -3300X	Reflector, meter illumination	1	1	
63	309060 -3300X	Screw, plate, 1/4" No. 6 pan hd	1	-	
64	214925 -3300X	Holder, bulb	2	2	
65	280038 -3300X	Bulb, 24 V 50 mA	1	2	
66	861000 -3300X	Meter	2	2	
67	302896 -3300X	Surround, DIN socket, plastic	1	1	
68	301215 -3300X	Surround, push button, plastic	2	2	
69	301337 -3300X	Arm, switch	1	1	
70	303018 -3300X	Plate, indicator, plastic	1	1	
71	993900 -3300X	Board, main amplifier	1	1	3300X, European version
72	993928 -3300X	Board, main amplifier	1	1	3300X, U.S.A. version
73	993944 -3500X	Board, main amplifier	1	1	3500X, European version
74	993945 -3500X	Board, main amplifier	1	1	3500X, U.S.A. version
75	213767 -3300X	Screw, plate, 3/4" No. 4 hex hd	2	2	
76	303248 -3300X	Bracket, angle	1	1	
77	309060 -3300X	Screw, plate, 1/4" No. 6 pan hd	1	-	
78	274162 -3300X	Socket, 5 pin DIN 180 degrees	2	2	MIC, European version
79	294420 -3300X	Socket, jack, 3 pole 1/4 in.	2	2	MIC, U.S.A. version
80	288178 -3300X	Switch, push	1	1	see page 22
81	294420 -3300X	Socket, jack, 3 pole 1/4 in.	1	1	HEADPHONES
82	861003 -3300X	Switch, push	1	1	see page 22
83	993901 -3300X	Board, oscillator	1	1	see page 23

3300X  
3500X



**NOTE!**  
The numbers on this page are index numbers, and must not be used when ordering. Please refer to the parts list for the Ordering No. and Description.

**3400X  
OLD & NEW**

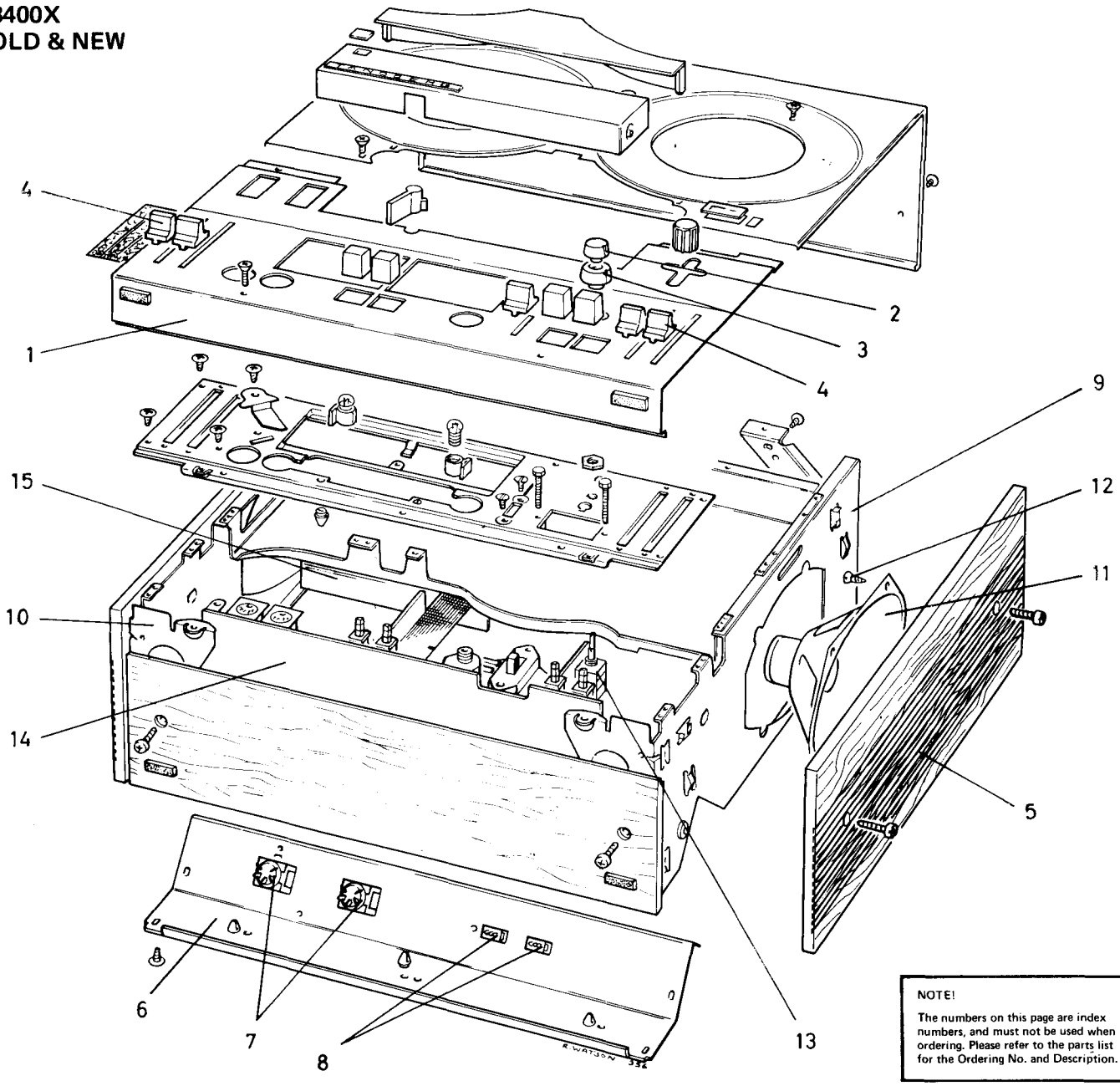


Fig. 2 Chassis assembly.

Chassis assembly.

SPECIFY THIS WHEN ORDERING				Quantity		
Index	Ordering No.	Description	per assy	Total	Notes	
	*	CHASSIS ASSEMBLY			3400X	
1	993921 -3400X	Plate, instrument	1	1	European version	
	993922 -3400X	Plate, instrument	1	1	Swedish version	
2	305555 -3400X	Knob, turquoise, plastic	1	1	TREBLE	
3	309269 -3400X	Knob, turquoise, plastic	1	1	BASS	
4	302580 -3400X	Knob, turquoise, plastic, with spring	4	5	INPUT LEVEL and OUTPUT LEVEL	
5	312271 -3400X	Panel, teak	1	1		
	310238 -3400X	Panel, rosewood	1	1		
	313952 -3400X	Panel, walnut	1	1		
	310059 -3400X	Panel, oak	1	1		
6	993923 -3400X	Plate, with sockets	1	1	supplied with index 7 and 8	
7	263085 -3400X	Socket, 5 pin DIN 180 degrees	2	2	PHONO and RADIO	
8	264312 -3400X	Socket, loudspeaker, DIN	2	2	LOUDSPEAKERS	
9	306632 -3400X	Plate, chassis, right	1	1		
10	308313 -3400X	Plate, chassis, left	1	1		
11	284399 -3400X	Loudspeaker, HT 131 15 ohm	2	2		
12	313134 -3400X	Screw, plate, 3/8" No. 6 hex hd	4	8		
13	993926 -3400X	Board, tone control	1	1		
14	993928 -3400X	Board, main amplifier	1	1	U.S.A. version, up to serial No.4300000	
	993932 -3400X	Board, main amplifier	1	1	European version, up to serial No.4300000	
	993951 -3400X	Board, main amplifier	1	1	European version, up to serial No.4300001	
	993952 -3400X	Board, main amplifier	1	1	U.S.A. version, up to serial No.4300001	
15	993920 -3400X	Board, output amplifier	1	1		

**3600XD  
OLD & NEW**

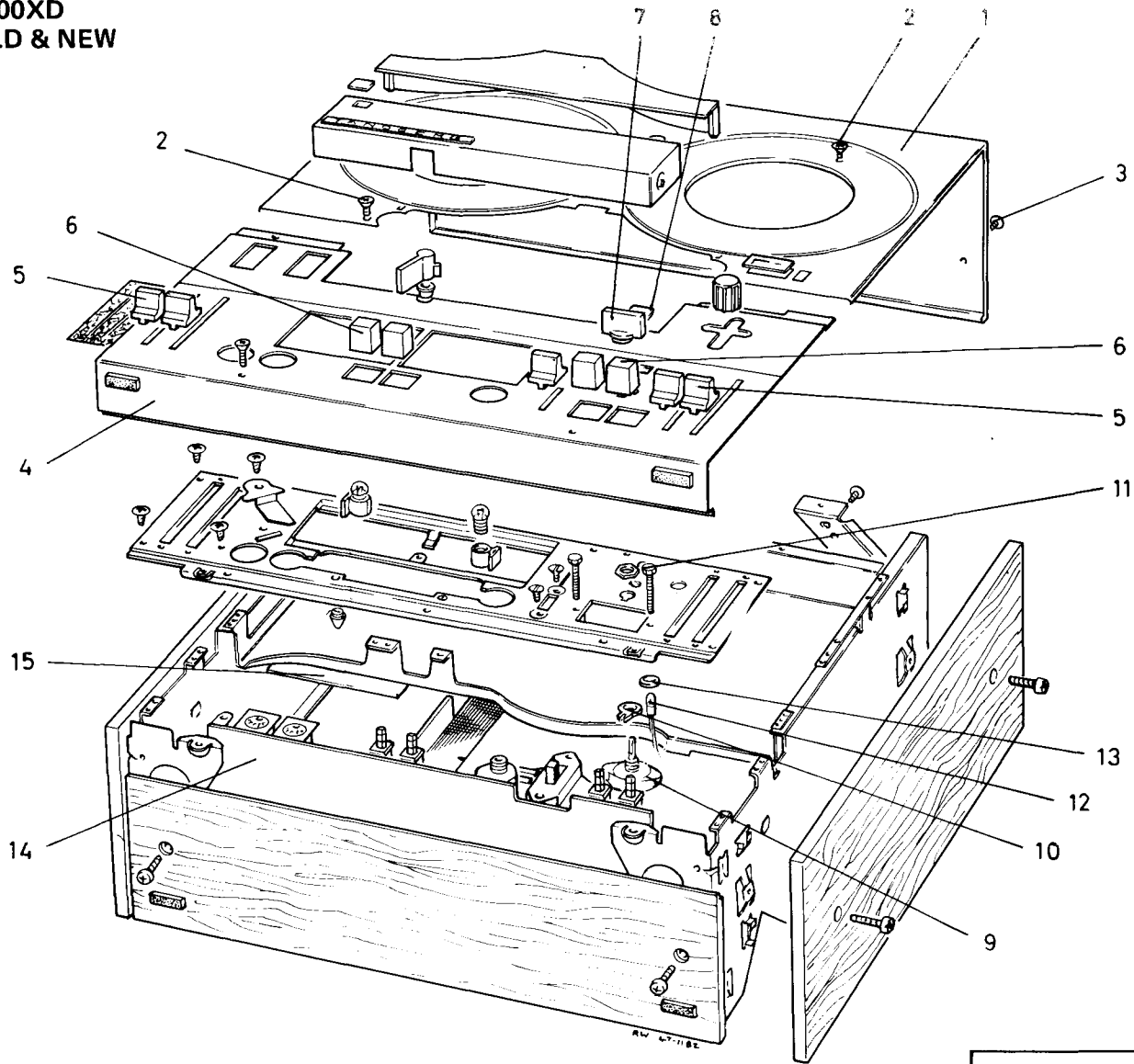


Fig. 3 Chassis assembly.

**NOTE!**  
The numbers on this page are index numbers, and must not be used when ordering. Please refer to the parts list for the Ordering No. and Description.

Chassis assembly.

SPECIFY THIS WHEN ORDERING		Quantity	Total	Notes	
Index	Ordering No.	Description	per assy		
	*	CHASSIS ASSEMBLY		3600XD	
1	314075 -3600XD	Plate, deck	1	1	
2	263688 -3600XD	Screw, 3 x 8 mm csk hd, black	4	-	
3	289550 -3600XD	Screw, plate, 1/4" No. 6 flange hd, black	2	-	
4	993924 -3600XD	Plate, instrument	1	1	European version
	993925 -3600XD	Plate, instrument	1	1	Swedish version
5	302580 -3600XD	Knob, turquoise, plastic, with spring	4	4	INPUT LEVEL and OUTPUT LEVEL
6	310102A -3600XD	Button, push, black, plastic	4	4	REC SELECT and SOURCE/TAPE
7	307229 -3600XD	Knob, black, plastic	1	1	DOLBY
8	313293 -3600XD	Window, turquoise, plastic	1	1	DOLBY
9	309785B -3600XD	Switch, selector	1	1	
10	309061 -3600XD	Washer	1	1	
11	271367 -3600XD	Nut, 2.6 mm	1	1	
12	900053 -3600XD	Bulb, 14 V 80 mA, with leads	1	1	
13	210757 -3600XD	Grommet, 6 x 4 x 5 mm, rubber	1	1	
14	993933 -3600XD	Board, main amplifier	1	1	European version, up to serial No.4200000
	993934 -3600XD	Board, main amplifier	1	1	U.S.A. version, up to serial No.4200000
	993949 -3600XD	Board, main amplifier	1	1	European version, from serial No.4200001
	993950 -3600XD	Board, main amplifier	1	1	U.S.A. version from serial No.4200001
15	993927 -3600XD	Board, Dolby	1	1	

## Tape path assembly.

Index	SPECIFY THIS WHEN ORDERING		Quantity	Total	Notes
	Ordering No.	Description	per assy		
	*				
		TAPE PATH ASSEMBLY			
1	993929 -3300X	Plate, upper mounting	1	1	
2	309060 -3300X	Screw, plate, 1/4" No. 6 pan hd	4	-	
3	287553 -3300X	Switch, rocker	1	1	ON
4	289665B -3300X	Button, touch, red, plastic	1	1	REC
5	286418 -3300X	Spring, flat	1	1	
6	288141 -3300X	Screw, plate, 3/8" No.6 flange hd	1	3	
7	296524A -3300X	Bracket, angle	1	1	
8	309060 -3300X	Screw, plate, 1/4" No.6 pan hd	1	-	
9	282438 -3300X	Switch, leaf, n/o	1	1	S6
10	292487 -3300X	Screw, 2 x 5 mm pan hd	1	2	
11	306288 -3300X	Holder	1	1	
12	309060 -3300X	Screw, plate, 1/4" No. 6 pan hd	1	-	
13	295720 -3300X	Grommet, rubber	1	1	
14	900067 -3300X	Bulb, 14 V 80 mA, with leads	1	1	
15	285326 -3300X	Bracket, start/stop	1	1	
16	296596 -3300X	Bracket, angle, start/stop	1	1	
17	309060 -3300X	Screw, plate, 1/4" No. 6 pan hd	2	-	
18	287747A -3300X	Spindle	1	1	
19	288688 -3300X	Arm, start/stop, nylon	1	1	
20	208431 -3300X	Ring, retaining, external, 3 mm	1	9	
21	282438 -3300X	Switch, leaf, n/o	1	-	S7
22	292487 -3300X	Screw, 2 x 5 mm pan hd	1	-	
23	286655 -3300X	Lever, black, nylon	1	1	
24	302386 -3300X	Spring	1	1	
25	288336 -3300X	Plate, black, nylon	1	1	
26	288141 -3300X	Screw, plate, 3/8" No. 6 flange hd	2	-	
27	294377A -3300X	Lever	1	1	
28	201003 -3300X	Ring, retaining, external, 4 mm	1	3	
29	208431 -3300X	Ring, retaining, external, 3 mm	1	-	
30	286030 -3300X	Plate	1	1	
31	208431 -3300X	Ring, retaining, external, 3 mm	1	-	
32	287632 -3300X	Roller, nylon	1	1	
33	993915 -3300X	Plate, with spindle	1	1	
34	290828 -3300X	Bracket, cover mounting	1	1	
35	293536 -3300X	Bracket, cover mounting	1	1	
36	291826 -3300X	Bracket, cover mounting	1	1	
37	204105 -3300X	Washer, 8.5 x 3.5 x 0.7 mm	1	3	mounted on index 34,35 and 36
38	269255 -3300X	Screw, 3 x 4 mm pan hd	1	4	mounted on index 34,35 and 36
39	210757 -3300X	Grommet, 6 x 4 x 5 mm, rubber	1	1	
40	292445 -3300X	Arm, start/stop	1	1	
41	262000 -3300X	Ring, circlip, 3 mm	1	1	
42	993916 -3300X	Arm, brake	1	1	
43	297214 -3300X	Spring	1	1	
44	293414 -3300X	Roller, nylon	1	1	
45	208431 -3300X	Ring, retaining, external, 3 mm	1	-	
46	288803 -3300X	Lever, interlock	1	1	
47	288609 -3300X	Spring	1	1	
48	275490 -3300X	Knob, black, plastic	2	2	
49	993912 -3300X	Post, guide, tape	1	1	supplied with index 51 and 52
50	993902 -3300X	End-stop, photo electric	1	1	supplied with index 51 -55 incl
51	993911 -3300X	Post, guide, tape	1	1	mounted on index 49 and 50
52	206908 -3300X	Screw, 3 x 20 mm ch hd	1	1	mounted on index 49 and 50
53	284471 -3300X	Bulb, 14 V 80 mA, with leads	1	1	
54	286790 -3300X	Transistor, photo, MRD 14B	1	1	
55	288530 -3300X	Spring	1	1	
56	283522 -3300X	Guide, tape	3	4	
57	284578 -3300X	Spring	3	3	
58	291784 -3300X	Arm, brake arm stop	1	1	
59	266733 -3300X	Nut, 3 mm	3	5	
60	251489A -3300X	Bracket, angle	1	1	
61	215951 -3300X	Screw, 3 x 5 mm ch hd	1	8	
62	291015 -3300X	Lever, pressure pad arm	1	1	
63	993904 -3300X	Arm, pressure pad	1	1	
64	287050 -3300X	Washer, 7 x 3 x 2 mm, nylon	1	2	mounted on index 62 and 63
65	294205 -3300X	Spring	1	1	
66	208431 -3300X	Ring, retaining, external, 3 mm	1	-	mounted on index 62 and 63
67	993919 -3300X	Plate, upper-flywheel-bearing	1	1	supplied with index 68-72 incl
68	215951 -3300X	Screw, 3 x 5 mm ch hd	3	-	
69	302586 -3300X	Spring	1	2	
70	993914 -3300X	Spring, thrust bearing	1	1	
71	283522 -3300X	Guide, tape	1	-	
72	266733 -3300X	Nut, 3 mm	1	-	



ALL MODELS

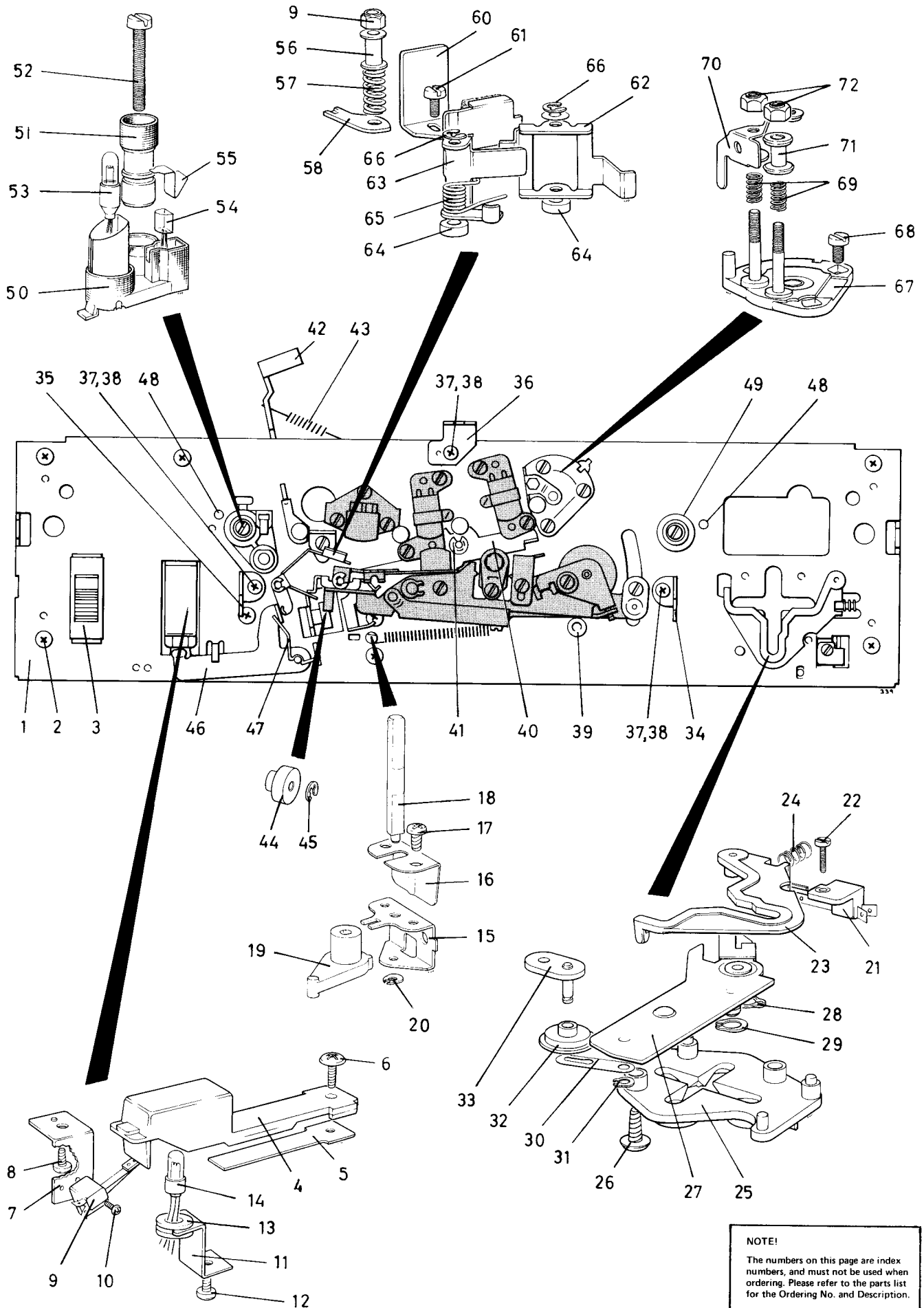
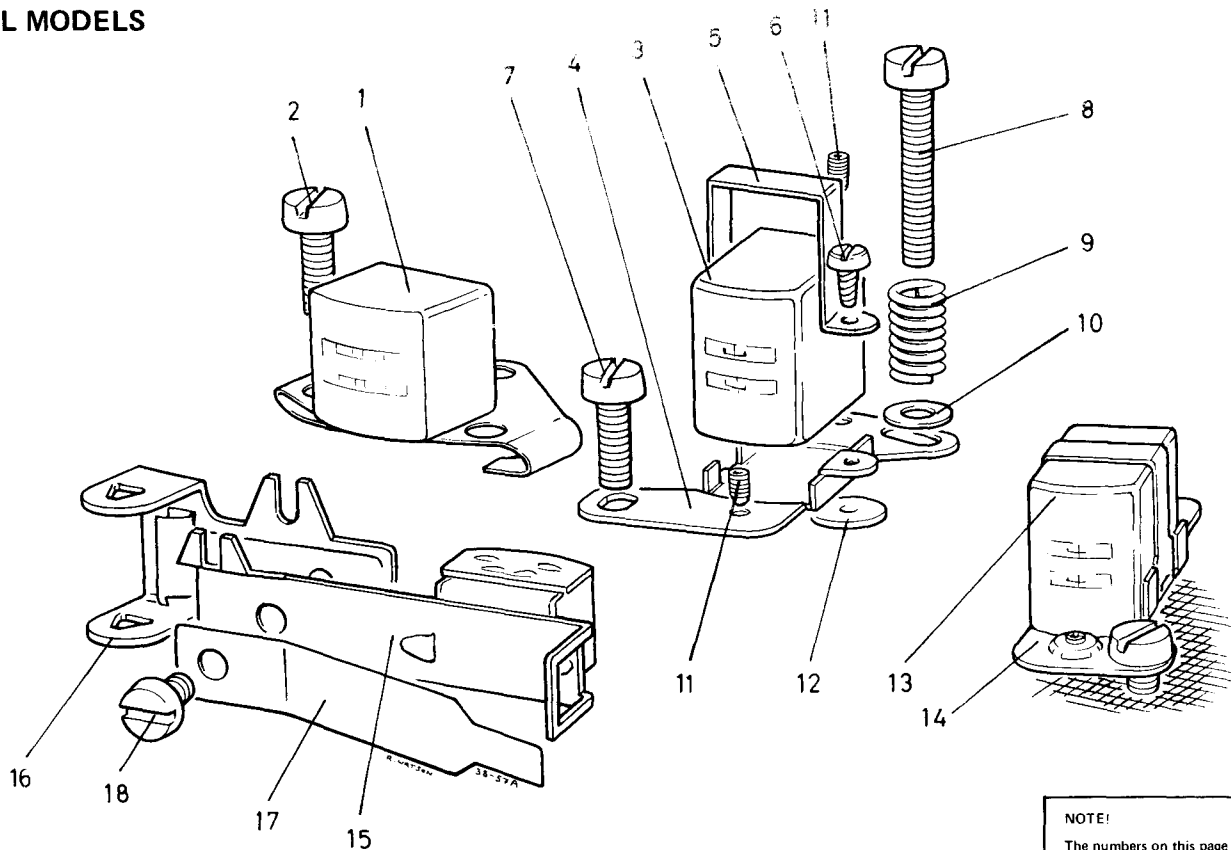


Fig. 4 Tape path assembly.

ALL MODELS



**NOTE!**  
The numbers on this page are index numbers, and must not be used when ordering. Please refer to the parts list for the Ordering No. and Description.

Fig. 5 Head assemblies.

Head assemblies.

SPECIFY THIS WHEN ORDERING		Quantity		
Index	Ordering No.	Description	per assy	Total
	*	HEAD ASSEMBLIES		
1	2750-20E-3300X	Head, erase, 2 track	1	1
	2751-18E-3300X	Head, erase, 4 track	1	1
2	217632 -3300X	Screw, 3 x 10 mm ch hd	3	5
3	2682-07R-3300X	Head, record, 2 track	1	1
	2653-11R-3300X	Head, record, 4 track	1	1
4	265441A -3300X	Bracket, head mounting	1	1
5	293422 -3300X	Bracket, U-shaped	1	2
6	292718 -3300X	Screw, plate, 1/4" No. 2 pan hd	1	2
7	217632 -3300X	Screw, 3 x 10 mm ch hd	1	-
8	210622 -3300X	Screw, 3 x 18 mm ch hd	1	3
9	240406A -3300X	Spring	1	2
10	237833 -3300X	Washer, 6 x 3.2 x 0.5 mm	1	2
11	890001 -3300X	Screw, set, 3 x 6 mm	2	4
12	278444 -3300X	Disc	2	4
13	2683-11P-3300X	Head, playback, 2 track	1	1
	2303-10P-3300X	Head, playback, 4 track	1	1
14	272049A -3300X	Bracket, head mounting	1	1
15	2958-04B-3300X	Head, bias, 2 track	1	1
	2079-03B-3300X	Head, bias, 4 track	1	1
16	294729 -3300X	Lever, head mounting	1	1
17	293048 -3300X	Spring	1	1
18	215951 -3300X	Screw, 3 x 5 mm ch hd	1	-

ALL MODELS

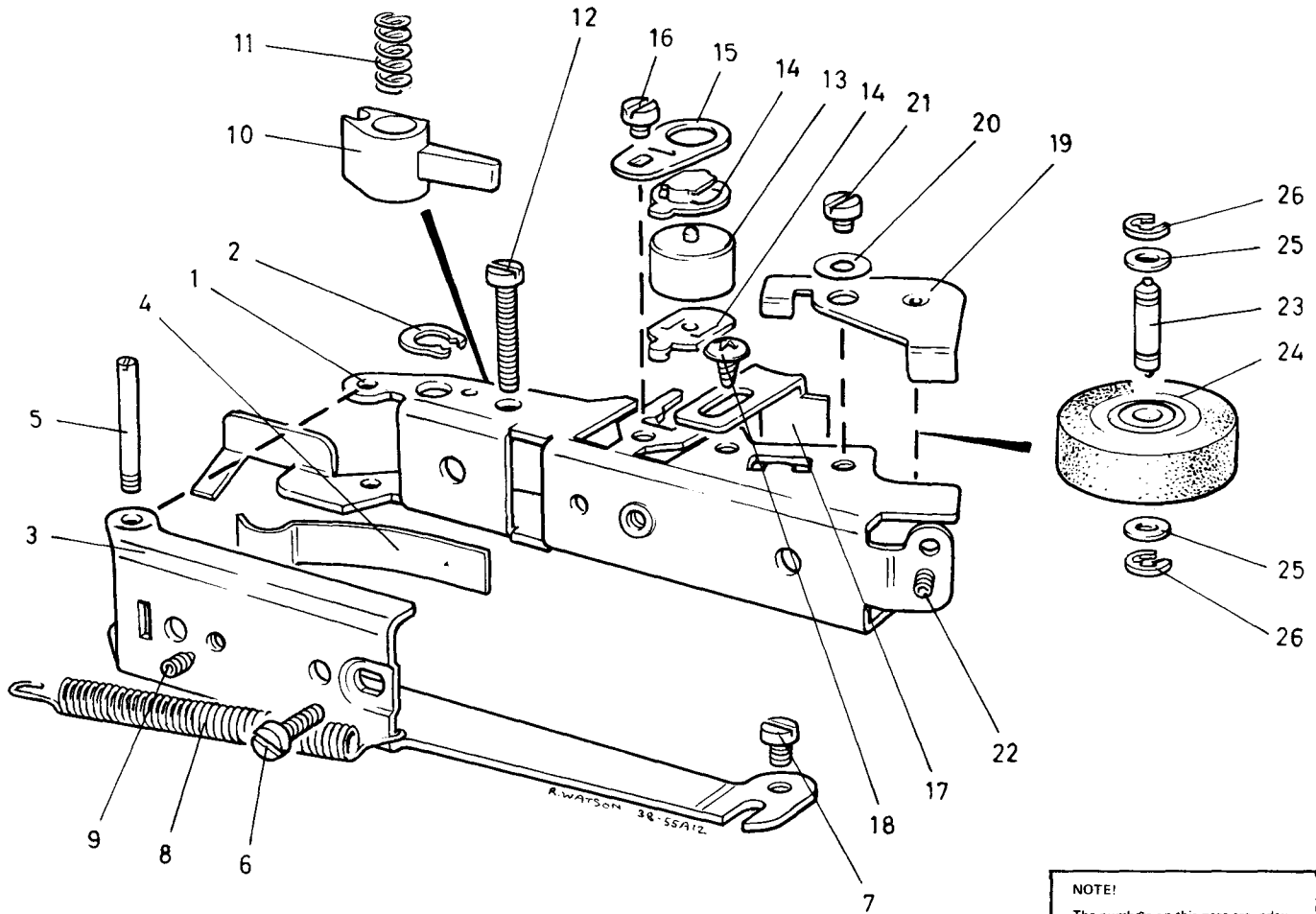


Fig. 6 Pressure roller arm assembly.

**NOTE!**  
The numbers on this page are index numbers, and must not be used when ordering. Please refer to the parts list for the Ordering No. and Description.

Pressure roller arm assembly.

SPECIFY THIS WHEN ORDERING			Quantity		
Index	Ordering No.	Description	per assy	Total	Notes
	*	PRESSURE ROLLER ARM ASSEMBLY			
1	993903 -3300X	Arm, pressure roller	1	1	
2	217540 -3300X	Ring, retaining, external, 5 mm	1	1	
3	993913 -3300X	Arm, pressure roller, outer	1	1	
4	288063A -3300X	Spring, flat	1	1	
5	211066 -3300X	Post, pivot	1	1	
6	217632 -3300X	Screw, 3 x 10 mm ch hd	1	-	
7	269255 -3300X	Screw, 3 x 4 mm pan hd	1	-	
8	273939 -3300X	Spring	1	1	
9	890000 -3300X	Screw, set, 3 x 5 mm	1	1	
10	243150 -3300X	Lever, plastic	1	1	
11	234478 -3300X	Spring	1	1	
12	210622 -3300X	Screw, 3 x 18 mm ch hd	1	-	
13	991052 -3300X	Roller, flutter	1	1	
14	260577A -3300X	Bearing, plastic	1	1	
15	291180 -3300X	Plate	1	1	
16	210556 -3300X	Screw, 3 x 3 mm ch hd	1	4	
17	210183A -3300X	Screen, playback head	1	1	
18	231267 -3300X	Screw, plate, 1/4" No. 4 flange hd	1	2	
19	286382 -3300X	Bracket, pressure roller	1	1	
20	292344 -3300X	Washer, 8 x 3.2 x 0.3 mm	1	1	
21	210556 -3300X	Screw, 3 x 3 mm ch hd	1	-	
22	212224 -3300X	Screw, set, 3 x 4 mm	1	1	
23	289241 -3300X	Spindle	1	1	
24	994505 -3300X	Roller, pressure, rubber	1	1	
25	258803A -3300X	Washer, 7 x 4 x 0.2 mm, turbax	2	2	
26	239651 -3300X	Ring, circlip, 3.2 mm	2	4	

Lower mounting plate assembly.

Index	SPECIFY THIS WHEN ORDERING		Quantity		Notes
	Ordering No.	Description	per assy	Total	
	*	LOWER MOUNTING PLATE ASSEMBLY			
1	*	Plate, lower mounting	1	-	
2	262193B -3300X	Sheet, plastic	1	1	
3	272150 -3300X	Pin, spring, 3 x 10 mm	2	2	
4	264420 -3300X	Moulding, plastic	1	1	
5	264578 -3300X	Bracket, U-shaped	1	1	
6	309060 -3300X	Screw, plate, 1/4" No. 6 pan hd	2	-	
7	212036 -3300X	Holder, ball, plastic	1	1	
8	309060 -3300X	Screw, plate, 1/4" No. 6 pan hd	1	-	
9	991030 -3300X	Lever, operating, with ball	1	1	
10	262739 -3300X	Spring	1	1	
11	263874 -3300X	Sleeve, nylon	1	1	
12	239651 -3300X	Ring, circlip, 3.2 mm	1	-	
13	263522A -3300X	Spring	1	1	
14	264593 -3300X	Sleeve, plastic	1	1	
15	991017 -3300X	Arm, operating	1	1	
16	264226 -3300X	Pivot, guide, plastic	1	1	
17	231310 -3300X	Ring, circlip, 5 mm	1	1	
18	263601B -3300X	Arm, brake, left	1	1	
19	260512 -3300X	Spring	1	2	mounted on index 18 and 21
20	201003 -3300X	Ring, retaining, external, 4 mm	1	-	mounted on index 18 and 21
21	261920 -3300X	Arm, brake, right	1	1	
22	290124 -3300X	Bracket, support, brake	2	2	
23	309060 -3300X	Screw, plate, 1/4" No. 6 pan hd	1	-	
24	991014 -3300X	Lever, brake	1	2	
25	261841 -3300X	Spring	1	2	
26	261216 -3300X	Screw, nylon	2	4	
27	991021 -3300X	Spring, brake pad, left	1	1	
28	991022 -3300X	Spring, brake pad, right	1	1	
29	227899 -3300X	Screw, plate, 1/4" No. 6 flange hd	1	-	
30	301086 -3300X	Counter	1	1	
31	210556 -3300X	Screw, 3 x 3 mm ch hd	1	-	
32	215951 -3300X	Screw, 3 x 5 mm ch hd	1	-	
33	211339 -3300X	Pulley, plastic	1	1	
34	289794 -3300X	Belt, drive, rubber	1	1	
35	267187 -3300X	Heatsink	1	1	
36	309060 -3300X	Screw, plate, 1/4" No. 6 pan hd	1	-	
37	293163 -3300X	Plate, lower-flywheel-bearing	1	1	
38	309060 -3300X	Screw, plate, 1/4" No. 6 pan hd	2	-	
39	261992 -3300X	Washer, 5/10 x 7 mm	1	1	
40	219586 -3300X	Ring, felt	1	1	
41	252172 -3300X	Bearing, 5 mm	1	1	
42	263106 -3300X	Disc	1	1	
43	990312 -3300X	Flywheel	1	1	
44	215872 -3300X	Ring, felt	1	1	
45	263091 -3300X	Sleeve, plastic	1	1	
46	284119 -3300X	Switch, leaf, n/o	1	1	
47	231267 -3300X	Screw, plate, 1/4" No. 4 flange hd	1	-	
48	991015 -3300X	Arm, with elbow joint	1	1	
49	261525 -3300X	Post, pivot	1	1	
50	231310 -3300X	Ring, circlip, 5 mm	1	1	
51	991023 -3300X	Spring, brake pad	1	1	
52	990204 -3300X	Arm	1	1	
53	210556 -3300X	Screw, 3 x 3 mm ch hd	1	-	
54	262545 -3300X	Plate, spring mounting	1	1	
55	272402 -3300X	Spring	1	1	
56	990330 -3300X	Cam, speed selector, nylon	1	1	
57	293838 -3300X	Plate	1	1	
58	309060 -3300X	Screw, plate, 1/4" No. 6 pan hd	2	-	
59	262854 -3300X	Arm, speed selector nylon	1	1	
60	230629B -3300X	Roller	1	1	
61	242331 -3300X	Spring	1	1	
62	990305 -3300X	Arm, transfer wheel	1	1	
63	216734 -3300X	Spring	1	2	
64	274930 -3300X	Washer, 9.8 x 6.2 x 0.1 mm	2	2	
65	235600 -3300X	Ring, circlip, 5 mm	1	1	
66	990213 -3300X	Arm, support, transfer wheel	1	1	
67	200299 -3300X	Washer, 7.5 x 5.2 x 0.5 mm, turbax	1	1	
68	217856 -3300X	Washer, 7.5 x 5.2 x 0.2 mm, turbax	1	1	
69	235937 -3300X	Ring, circlip, 4 mm	2	2	
70	204013 -3300X	Washer, 7.5 x 4.2 x 0.5 mm, turbax	2	2	
71	990233 -3300X	Wheel, transfer	1	1	
72	239651 -3300X	Ring, circlip, 3.2 mm	1	-	
73	286770A -3300X	Arm, speed selector	1	1	
74	213826 -3300X	Ring, retaining, external, 6 mm	1	1	
75	212461 -3300X	Pin, spring, 2 x 16 mm	1	1	
76	288451 -3300X	Bracket, support, switch	1	1	
77	286912 -3300X	Switch, slide	1	-	
78	215951 -3300X	Screw, 3 x 5 mm ch hd	2	-	
79	991041 -3300X	Belt, drive, rubber	1	1	

3300X }  
 3400X } OLD  
 3600XD }

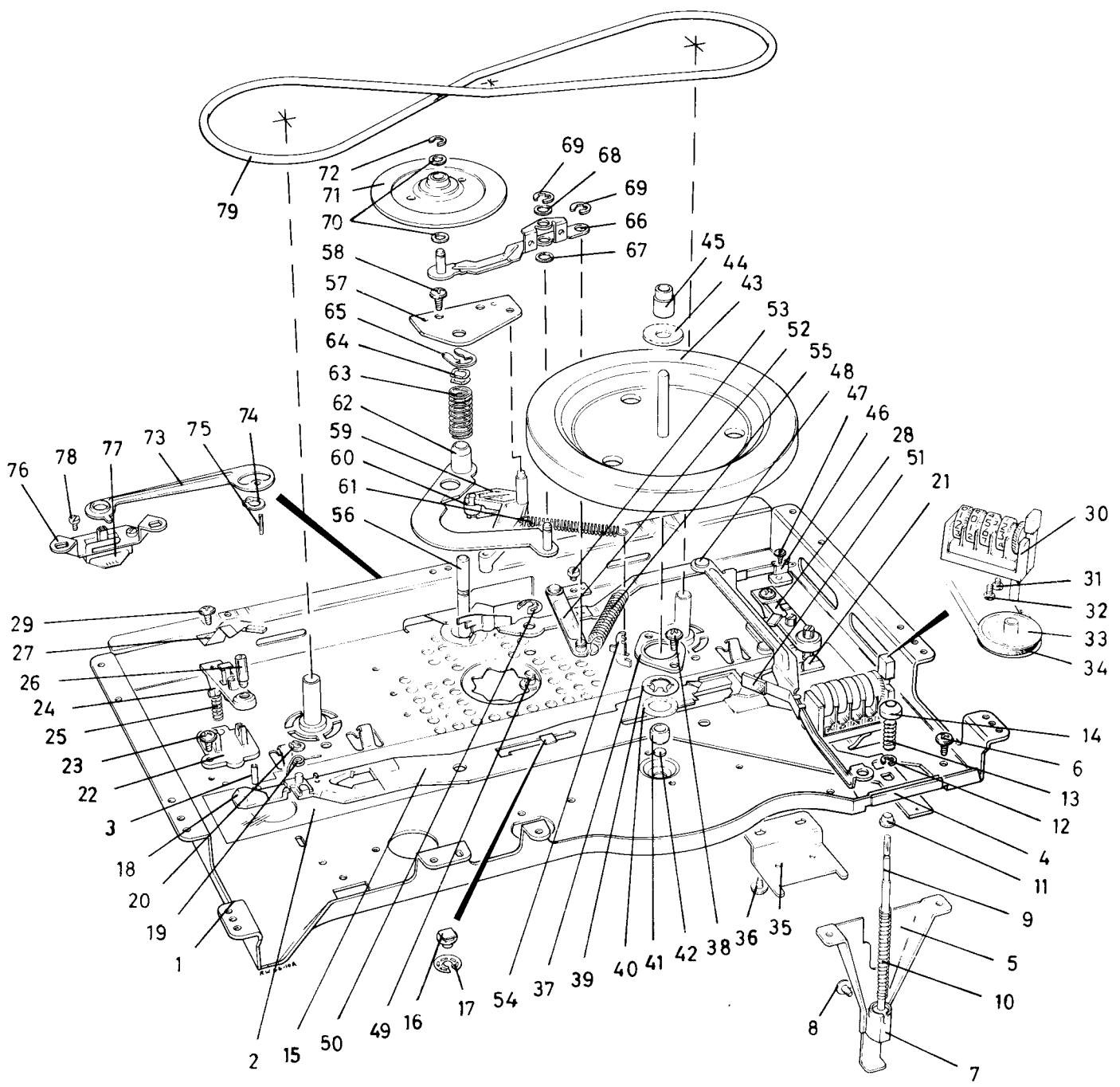


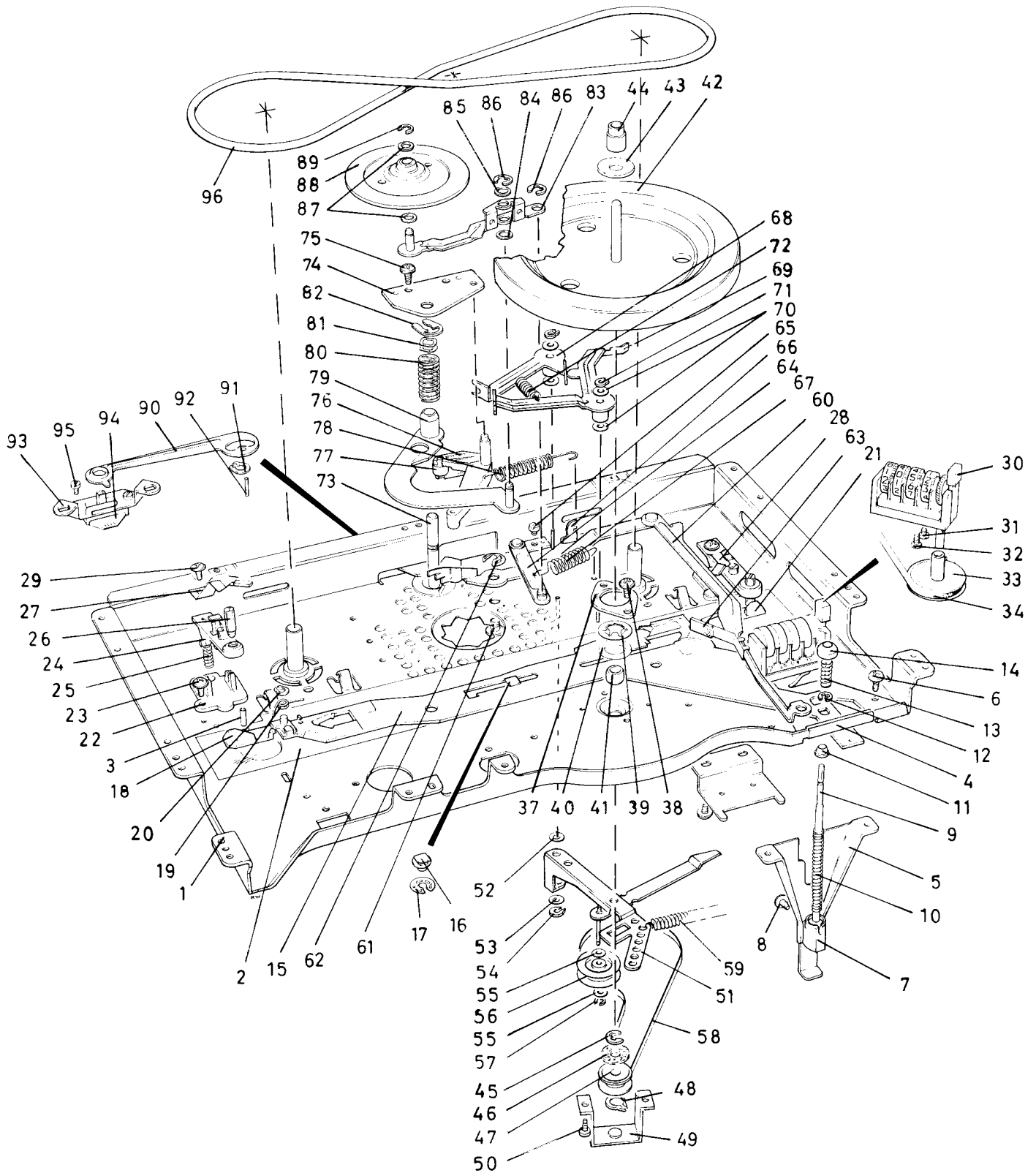
Fig. 7 Lower mounting plate assembly.

**NOTE!**  
 The numbers on this page are index numbers, and must not be used when ordering. Please refer to the parts list for the Ordering No. and Description.

Lower mounting plate assembly.

SPECIFY THIS WHEN ORDERING			Quantity		Notes
Index	Ordering No.	Description	per assy	Total	
	*	LOWER MOUNTING PLATE ASSEMBLY			
		For indexes 1 - 29 refer to previous list on page 12			
30	301086 -3500X	Counter	1	1	
31	210556 -3500X	Screw, 3 x 3 mm ch hd	1	-	
32	215591 -3500X	Screw, 3 x 5 mm ch hd	1	-	
33	334900 -3500X	Pulley, plastic	1	1	
34	289794 -3500X	Belt, drive, rubber	1	1	
35	267187 -3500X	Heatsink	1	1	
36	309060 -3500X	Screw, plate, 1/4" No. 6 pan hd	1	-	
37	293163 -3500X	Plate, lower-flywheel-bearing	1	1	
38	309060 -3500X	Screw, plate, 1/4" No. 6 pan hd	2	-	
39	261992 -3500X	Washer, 5/10 x 7 mm	1	1	
40	219586 -3500X	Ring, felt	1	1	
41	252172 -3500X	Bearing, 5 mm	1	1	
42	993938 -3500X	Flywheel	1	1	
43	215872 -3500X	Ring, felt	1	1	
44	263091 -3500X	Sleeve, plastic	1	1	
45	235937 -3500X	Ring, circlip, 4 mm	1	1	
46	330094 -3500X	Ring, felt	1	1	
47	333808 -3500X	Pulley, drive, plastic	1	1	
48	237223 -3500X	Ring, retaining, external, 8 mm	1	1	
49	993946 -3300X	Bracket, U-shaped, capstan mounting	1	1	
50	309060 -3500X	Screw, plate, 1/4" No. 6 pan hd	2	-	
51	993941 -3500X	Arm	1	1	
52	337185 -3500X	Washer, 7.5 x 3.1 x 2 mm	1	1	
53	248042 -3500X	Washer, 7.5 x 3.1 x 0.3 mm, turbax	1	1	
54	208431 -3500X	Ring, retaining, external, 3 mm	1	-	
55	232482 -3500X	Washer, 6 x 2.5 x 0.5 mm, turbax	2	2	
56	335238 -3500X	Pulley, plastic	1	1	
57	237970 -3500X	Ring, circlip, 1.5 mm	1	1	
58	317617 -3500X	Belt, drive, rubber	1	1	
59	315311 -3500X	Spring	1	1	
60	993939 -3500X	Arm, with elbow joint	1	1	
61	261525 -3500X	Post, pivot	1	1	
62	231310 -3500X	Ring, circlip, 5 mm	1	1	
63	991023 -3500X	Spring, brake pad	1	1	
64	993940 -3500X	Arm, spacing	1	1	
65	210556 -3500X	Screw, 3 x 3 mm ch hd	1	-	
66	262545 -3500X	Plate, spring mounting	1	1	
67	331186 -3500X	Spring	1	1	
68	993942 -3500X	Arm, drive belt lifter	1	1	
69	993943 -3500X	Arm, drive belt lifter	1	1	
70	248042 -3500X	Washer, 7.5 x 3.1 x 0.3 mm, turbax	2	4	mounted on index 68 and 69
71	208431 -3500X	Ring, retaining, external, 3 mm	1	-	mounted on index 68 and 69
72	241153 -3500X	Spring	1	1	
73	990330 -3500X	Cam, speed selector, nylon	1	1	
74	293838 -3500X	Plate	1	1	
75	309060 -3500X	Screw, plate, 1/4" No. 6 pan hd	2	-	
76	262854 -3500X	Arm, speed selector, nylon	1	1	
77	230629B -3500X	Roller	1	1	
78	304685 -3500X	Spring	1	1	
79	990305 -3500X	Arm, transfer wheel	1	1	
80	216734 -3500X	Spring	1	1	
81	274930 -3500X	Washer, 9.8 x 6.2 x 0.1 mm	2	2	
82	235600 -3500X	Ring, circlip, 5 mm	1	1	
83	990213 -3500X	Arm, support, transfer wheel	1	1	
84	200299 -3500X	Washer, 7.5 x 5.2 x 0.5 mm, turbax	1	1	
85	217856 -3500X	Washer, 7.5 x 5.2 x 0.2 mm, turbax	1	1	
86	235937 -3500X	Ring, circlip, 4 mm	2	2	
87	204013 -3500X	Washer, 7.5 x 4.2 x 0.5 mm, turbax	2	2	
88	990233 -3500X	Wheel, transfer	1	1	
89	239651 -3500X	Ring, circlip, 3.2 mm	1	-	
90	286770A -3500X	Arm, speed selector	1	1	
91	213826 -3500X	Ring, retaining, external, 6 mm	1	1	
92	212461 -3500X	Pin, spring, 2 x 16 mm	1	1	
93	288451 -3500X	Bracket, support, switch	1	1	
94	286912 -3500X	Switch, slide	1	-	
95	215951 -3500X	Screw, 3 x 5 mm ch hd	2	-	
96	991041 -3500X	Belt, drive, rubber	1	1	

3400X }  
 3500X } NEW  
 3600XD }



**NOTE!**  
 The numbers on this page are index numbers, and must not be used when ordering. Please refer to the parts list for the Ordering No. and Description.

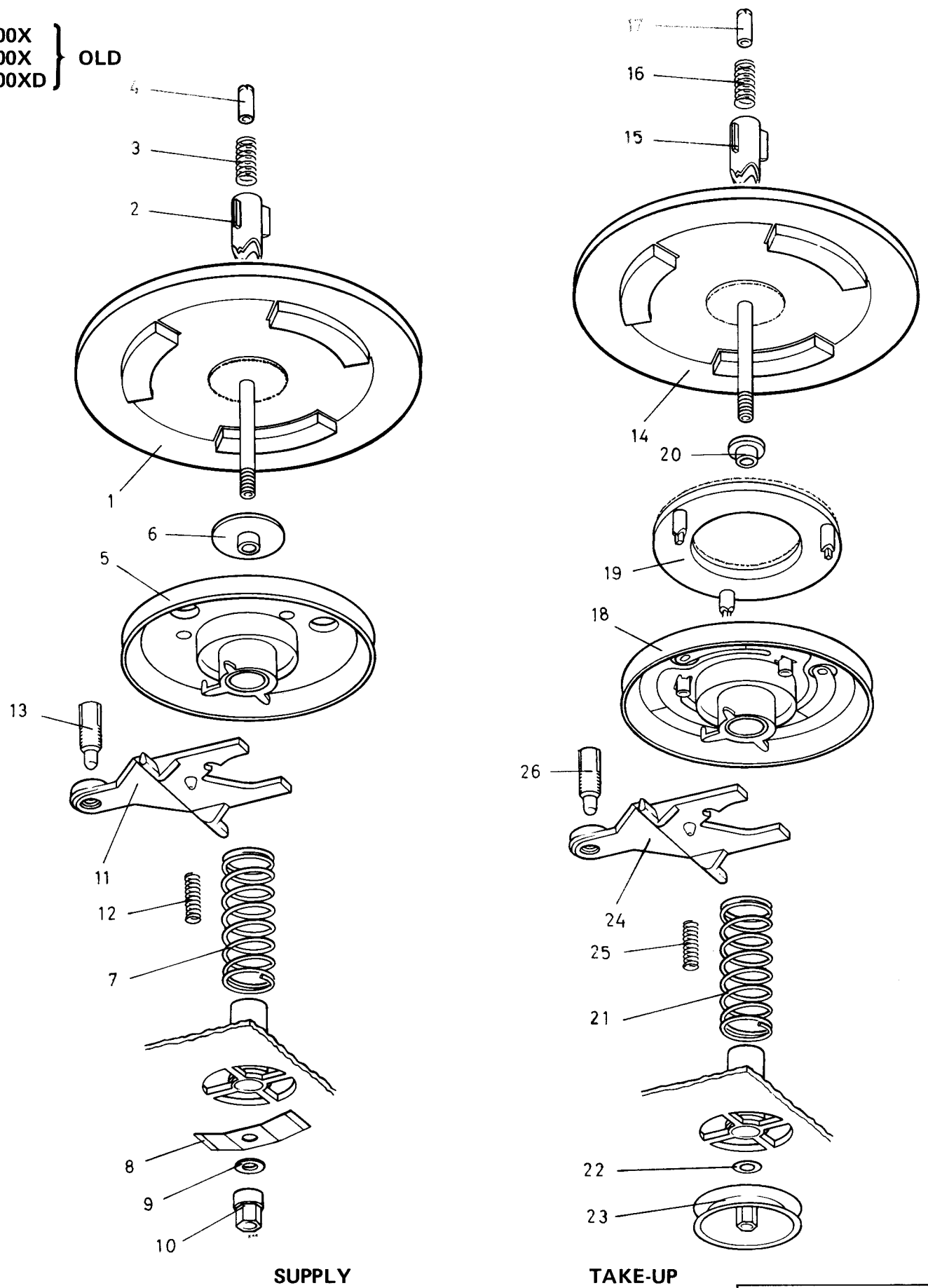
Fig. 8 Lower mounting plate assembly.

Clutch assemblies.

SPECIFY THIS WHEN ORDERING			Quantity	Total	Notes
Index	Ordering No.	Description	per assy		
	*	CLUTCH ASSEMBLIES			
1	991048 -3300X	Turntable	1	1	left (supply)
2	279096 -3300X	Sleeve, spool hub lock	1	2	
3	277530A -3300X	Spring	1	2	
4	277415 -3300X	Nut, spool hub lock	1	2	
5	993918 -3300X	Wheel, clutch	1	1	
6	219816 -3300X	Bush, flanged	1	1	
7	261805A -3300X	Spring	1	2	
8	293062 -3300X	Spring, flat	1	1	
9	204013 -3300X	Washer, 7.5 x 4.2 x 0.5 mm, turbax	1	2	
10	218767 -3300X	Nut, plastic	1	1	
11	991013 -3300X	Lever, clutch	1	2	
12	261841 -3300X	Spring	1	2	
13	261216 -3300X	Screw, nylon	1	2	
14	991048 -3300X	Turntable	1	1	right (take-up)
15	279096 -3300X	Sleeve, spool hub lock	1	-	
16	277530A -3300X	Spring	1	-	
17	277415 -3300X	Nut, spool hub lock	1	-	
18	991009 -3300X	Wheel, clutch	1	1	
19	991035 -3300X	Ring, clutch	1	1	
20	200549 -3300X	Bush, flanged	1	1	
21	267373B -3300X	Spring	1	-	
22	204013 -3300X	Washer, 7.5 x 4.2 x 0.5 mm, turbax	1	-	
23	215053 -3300X	Pulley, plastic	1	1	
24	991013 -3300X	Lever, clutch	1	-	
25	261841 -3300X	Spring	1	-	
26	261216 -3300X	Screw, nylon	1	-	



3300X }  
 3400X } OLD  
 3600XD }



**SUPPLY**

**TAKE-UP**

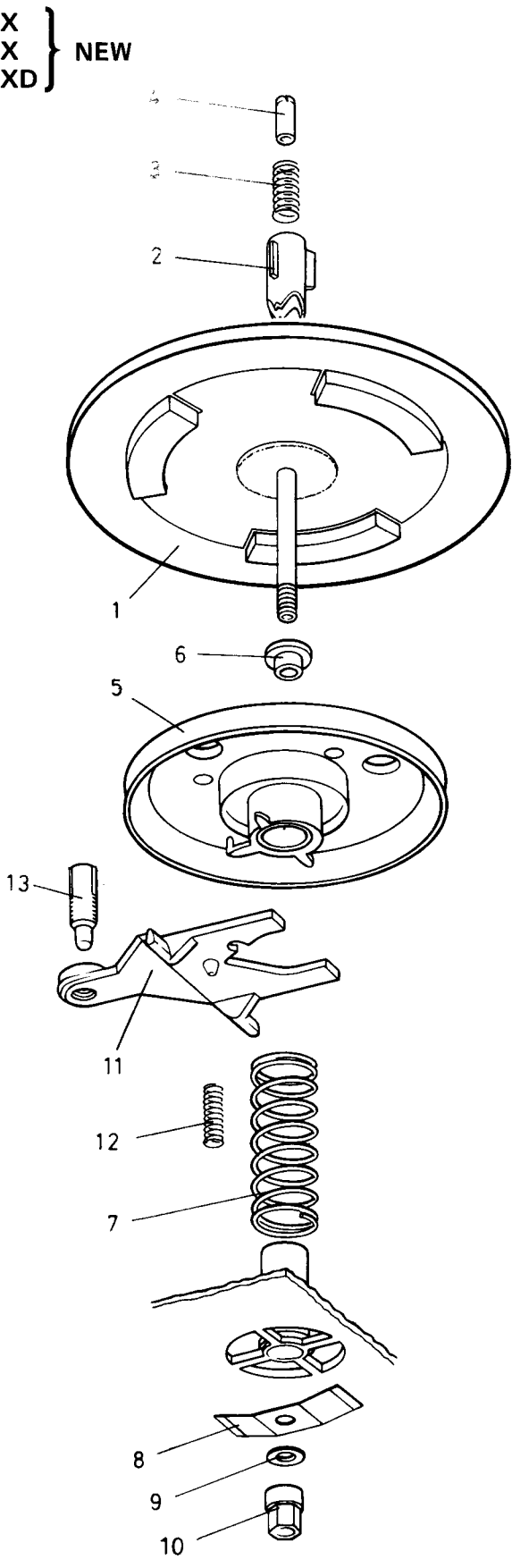
Fig. 9 Clutch assemblies.

**NOTE!**  
 The numbers on this page are index numbers, and must not be used when ordering. Please refer to the parts list for the Ordering No. and Description.

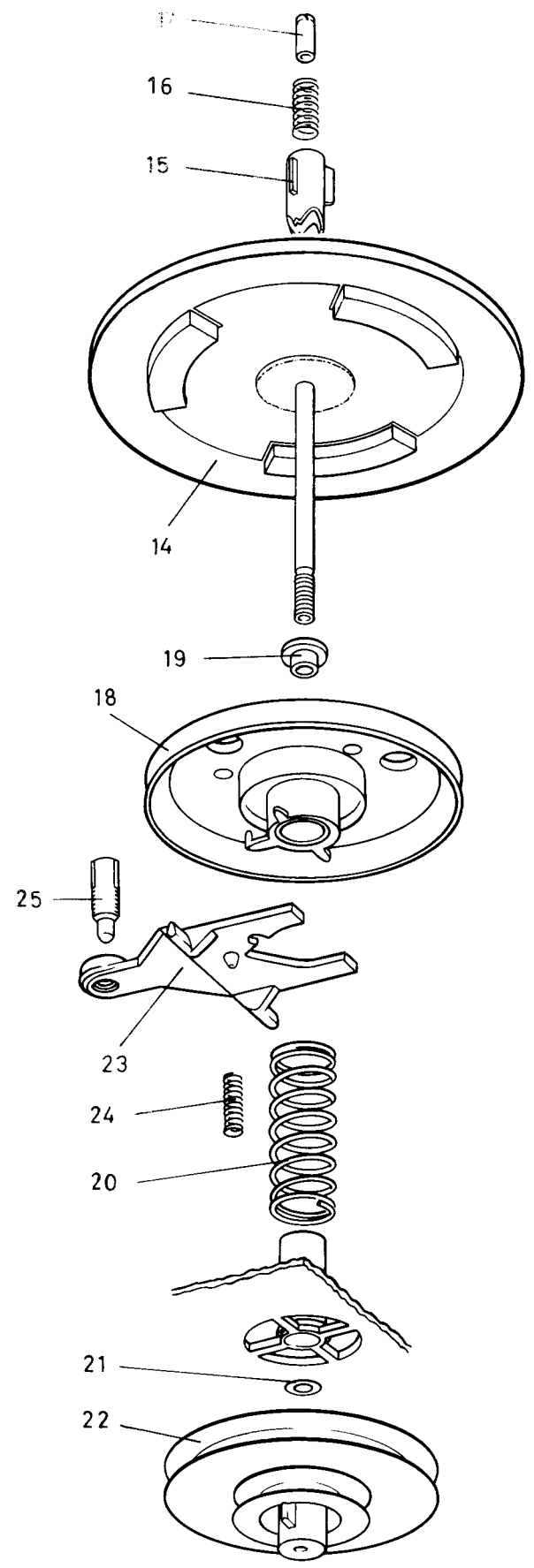
Clutch assemblies.

SPECIFY THIS WHEN ORDERING			Quantity		
Index	Ordering No.	Description	per assy	Total	Notes
	*	CLUTCH ASSEMBLIES			
1	993954 -3500X	Turntable	1	1	left (supply), supplied with index 2, 3 and 4
2	279096 -3500X	Sleeve, spool hub lock	1	2	
3	277530A -3500X	Spring	1	2	
4	277415 -3500X	Nut, spool hub lock	1	2	
5	993918 -3500X	Wheel, clutch	1	2	
6	200549 -3500X	Bush, flanged	1	2	
7	261805A -3500X	Spring	1	2	
8	293062 -3500X	Spring, flat	1	1	
9	204013 -3500X	Washer, 7.5 x 4.2 x 0.5 mm, turbax	1	2	
10	218767 -3500X	Nut, plastic	1	1	
11	991013 -3500X	Lever, clutch	1	2	
12	261841 -3500X	Spring	1	2	
13	261216 -3500X	Screw, nylon	1	2	
14	993955 -3500X	Turntable	1	1	
15	279096 -3500X	Sleeve, spool hub lock	1	-	
16	277530A -3500X	Spring	1	-	
17	277415 -3500X	Nut, spool hub lock	1	-	
18	993918 -3500X	Wheel, clutch	1	-	
19	200549 -3500X	Bush, flanged	1	-	
20	267373B -3500X	Spring	1	-	
21	204013 -3500X	Washer, 7.5 x 4.2 x 0.5 mm, turbax	1	-	
22	330482 -3500X	Pulley, turntable, plastic	1	1	
23	991013 -3500X	Lever, clutch	1	-	
24	261841 -3500X	Spring	1	-	
25	261216 -3500X	Screw, nylon	1	-	

3400X }  
 3500X } NEW  
 3600XD }



**SUPPLY**



**TAKE-UP**

Fig. 10 Clutch assemblies.

**NOTE!**  
 The numbers on this page are index numbers, and must not be used when ordering. Please refer to the parts list for the Ordering No. and Description.

Motor assembly.

SPECIFY THIS WHEN ORDERING			Quantity		
Index	Ordering No.	Description	per assy	Total	Notes
	*	MOTOR ASSEMBLY			
1	241009 -3300X	Motor, 110/220 V 50 hz	1	1	
2	227432 -3300X	Sleeve, rubber	2	2	
3	271079 -3300X	Box, motor	1	1	
4	236159A -3300X	Bracket, U-shaped, support, motor	1	1	
5	309060 -3300X	Screw, plate, 1/4" No. 6 pan hd	4	-	
6	243940C -3300X	Pulley, drive, 50 hz	1	1	
	277387A -3300X	Pulley, drive, 60 hz	1	1	
7	*	Screw	1	-	supplied with index 6
8	312537 -3300X	Knob, plastic	1	1	

Transformer assemblies.

	*	TRANSFORMER ASSEMBLIES			
9	265462 -3300X	Transformer	1	1	European, 3300X and 3600XD up to serial no.4200000
	277473A -3300X	Transformer	1	1	U.S.A., 3300X and 3600XD up to serial no.4200000
10	309060 -3300X	Screw, plate, 1/4" No. 6 pan hd	4	-	
11	269450 -3300X	Fuse, 1.25 A, 5 x 20 mm, slow	1	1	
	282300 -3300X	Fuse, 1.25 A, 1 1/4" x 1/4"	1	1	U.S. base
12	334196 -3500X	Transformer	1	1	European, 3500X and 3600XD from serial no.4200001
	330834 -3500X	Transformer	1	1	U.S.A., 3500X and 3600XD from serial no.4200001
13	309060 -3500X	Screw, plate, 1/4" No. 6 pan hd	2	-	
14	269450 -3500X	Fuse, 1.25 A, 5 x 20 mm, slow	1	1	
	282300 -3500X	Fuse, 1.25 A, 1 1/4" x 1/4"	1	1	U.S. base
15	283780 -3400X	Transformer	1	1	3400X
16	309060 -3400X	Screw, plate, 1/4" No. 6 pan hd	2	-	
17	242690 -3400X	Holder, 5 x 20 mm fuse	1	1	
18	309060 -3400X	Screw, plate, 1/4" No. 6 pan hd	1	-	
19	269450 -3400X	Fuse, 1.25 A, 5 x 20 mm, slow	1	1	

ALL MODELS

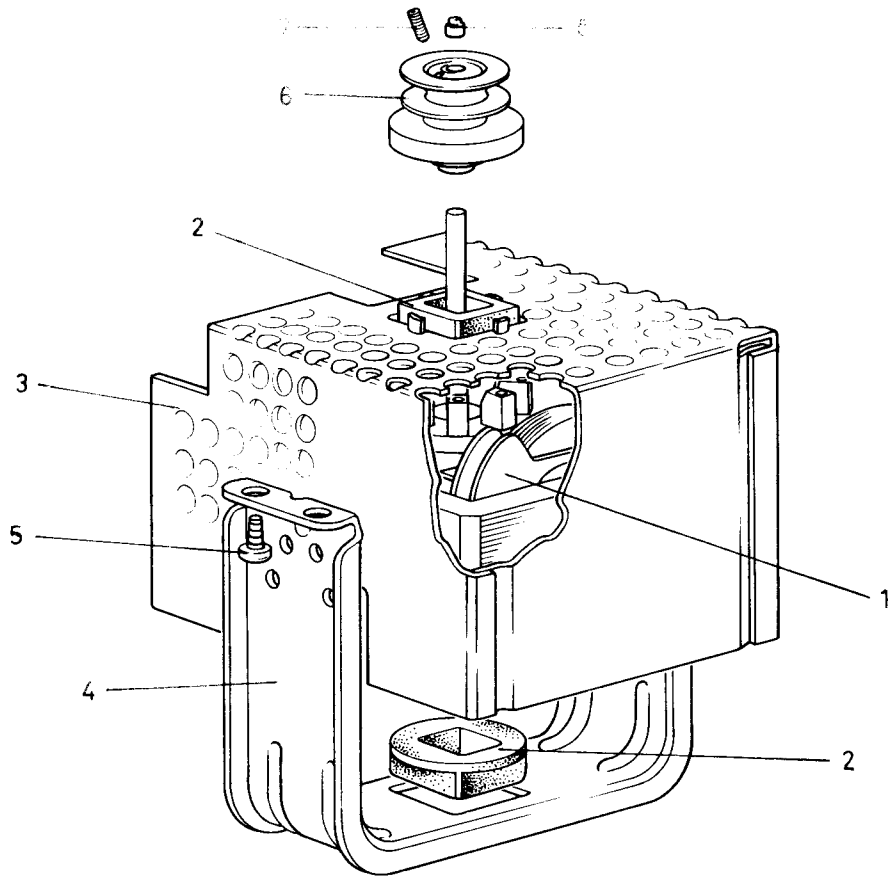


Fig. 11 Motor assembly.

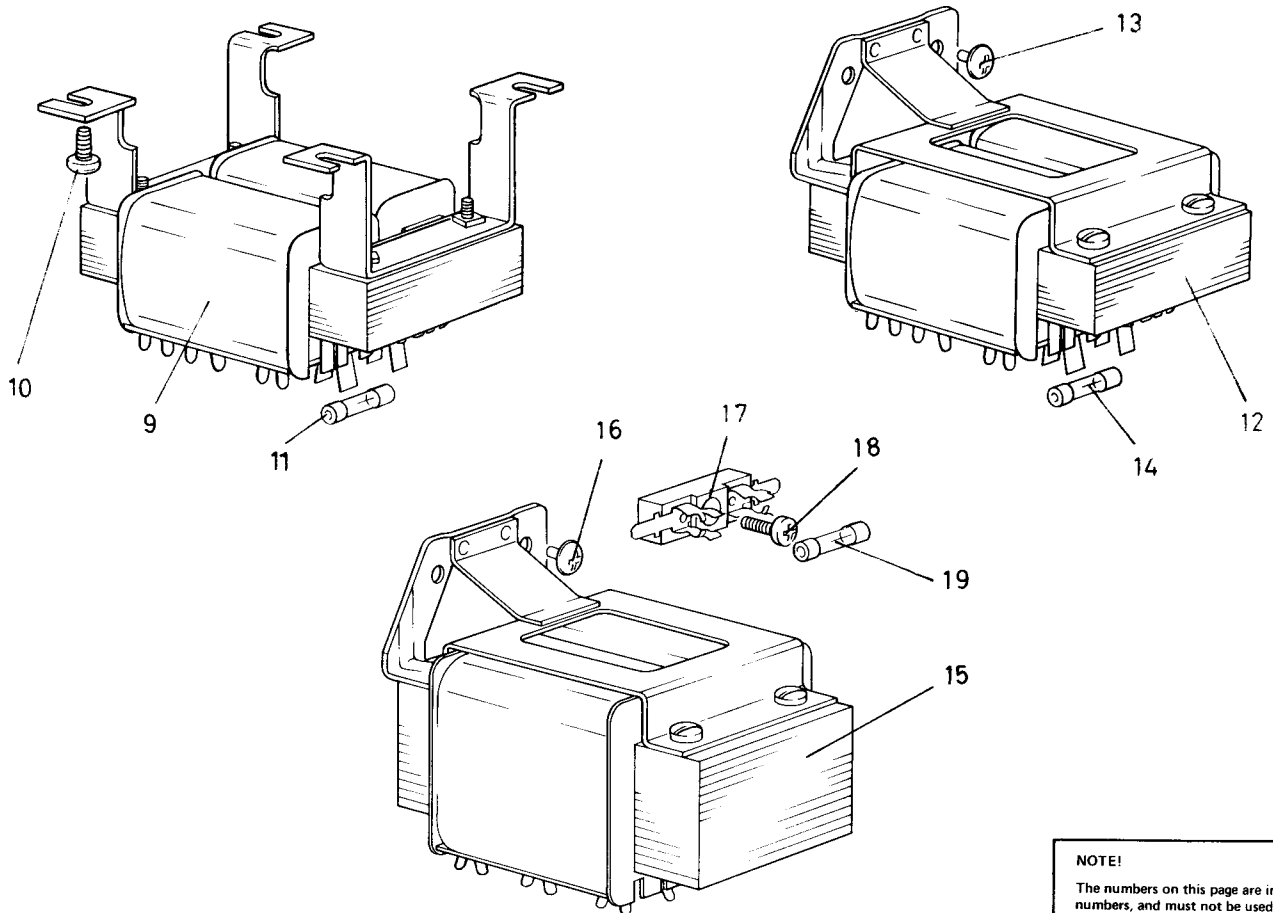


Fig. 12 Transformer assemblies.

**NOTE!**  
The numbers on this page are index numbers, and must not be used when ordering. Please refer to the parts list for the Ordering No. and Description.



**TANBERGS RADIOFABRIKK A/S**  
**Postboks 9, Korsvoll, Oslo 8**  
**Norway**